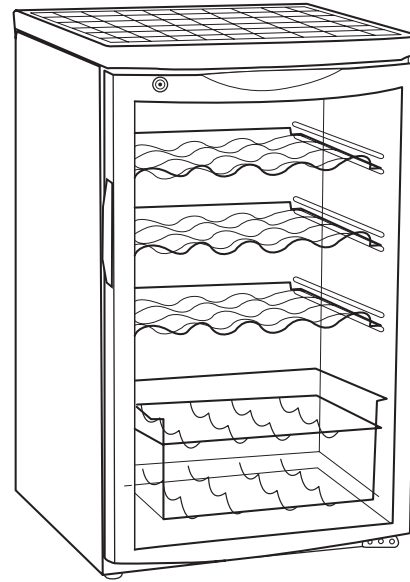


# Haier



**Wine Cooler**

***User Manual-***

**JC-82G/82GA  
JC-112G/112GA  
JC-152G/152GA**



0070503200



## Troubleshooting

### Wine Cooler Does Not Operate

- Check if wine cooler is plugged in.
- Check if there is power at the ac outlet, by checking the circuit breaker.

### Wine appears too warm

- Frequent door openings.
- Allow time for recently added wine to reach desired temperature.
- Check gaskets for proper seal.
- Clean condenser coils.
- Adjust temperature control to colder setting.

### Wine temperature is too cold

- If temperature control setting is too cold, adjust to a warmer setting.

### Wine cooler runs too frequently

- This may be normal to maintain constant temperature during high temperature and humid days.
- Doors may have been opened frequently or for an extended period of time.
- Clean condenser coils.
- Check gasket for proper seal.
- Check to see if doors are completely closed.

### Moisture build up on interior or exterior of the wine cooler:

- This is normal during high humidity periods.
- Prolonged or frequent door openings.
- Check door gaskets for proper seal.

### Wine Cooler door does not shut properly:

- Level the wine cooler.
- Check for blockages e.g. wine bottles, shelves.

## SAFETY PRECAUTIONS

**Read all of the instructions before using this appliance. When using this appliance, always exercise basic safety precautions, including the following:**

- 1) Use this appliance only for its intended purpose as described in this use and care guide.
- 2) This wine cooler must be properly installed in accordance with the installation instructions before it is used. See grounding instructions in the installation section.
- 3) Never unplug your wine cooler by pulling on the power cord. Always grasp the plug firmly and pull straight out from the outlet.
- 4) Repair or replace immediately, all electric service cords that have become frayed or otherwise damaged. Do not use a cord that shows cracks or abrasion damage along its length, the plug or the connector end.
- 5) Unplug your wine cooler before cleaning or before making any repairs.
 

**Note:** *If for any reason this product requires service, we strongly recommend that a certified technician performs the service.*
- 6) If your old wine cooler is not being used, we recommend that you remove the door and leave the shelves in place. This will reduce the possibility of danger to children.
- 7) This wine cooler should not be recessed or built-in an enclosed cabinet. It is designed for freestanding installation only.
- 8) Do not operate your wine cooler in the presence of explosive fumes.
- 9) Do not store foods in wine cooler as interior temperature may not be cool enough to prevent spoilage.
- 10) Use of an extension cord is not recommended.

For Future Reference Please

## SAVE THESE INSTRUCTIONS

### DANGER

**Risk of child entrapment. Before you throw away your old wine cooler, take off the doors. Leave the shelves in place so that children may not easily climb inside.**

Thank you for using our product. This easy-to-use manual will guide you in getting the best use of your wine cooler.

Remember to record the model and serial number. They are on a label in back of the wine cooler.

---

*Model number*

---

*Serial number*

---

*Date of purchase*

Staple your receipt to your manual. **You will need it to obtain warranty service.**

### Power Interruptions

- Occasionally there may be power interruptions due to thunderstorms or other causes. Remove the power cord from AC outlet when a power outage occurs. When power has been restored, replug power cord to AC outlet.

### Vacation and Moving Care

- For long vacations or absences, unplug the wine cooler and clean the wine cooler and door gaskets according to "General cleaning" section. Prop doors open, so air can circulate inside. When moving always move the wine cooler vertically. Do not move with the unit lying down. Possible damage to the sealed system could occur.

# Proper Wine Cooler Care and Cleaning

## Cleaning and Maintenance

**Warning:** To avoid electric shock always unplug your wine cooler before cleaning. Ignoring this warning may result in death or injury.

**Caution:** Before using cleaning products, always read and follow manufacturer's instructions and warnings to avoid personal injury or product damage.

**General:**

- Prepare a cleaning solution of 3-4 tablespoons of baking soda mixed with warm water. Use sponge or soft cloth, dampened with the cleaning solution, to wipe down your wine cooler.
- Rinse with clean warm water and dry with a soft cloth.
- Do not use harsh chemicals, abrasives, ammonia, chlorine bleach concentrated detergents, solvents or metal scouring pads. SOME of these chemicals may dissolve, damage and/or discolor your wine cooler.

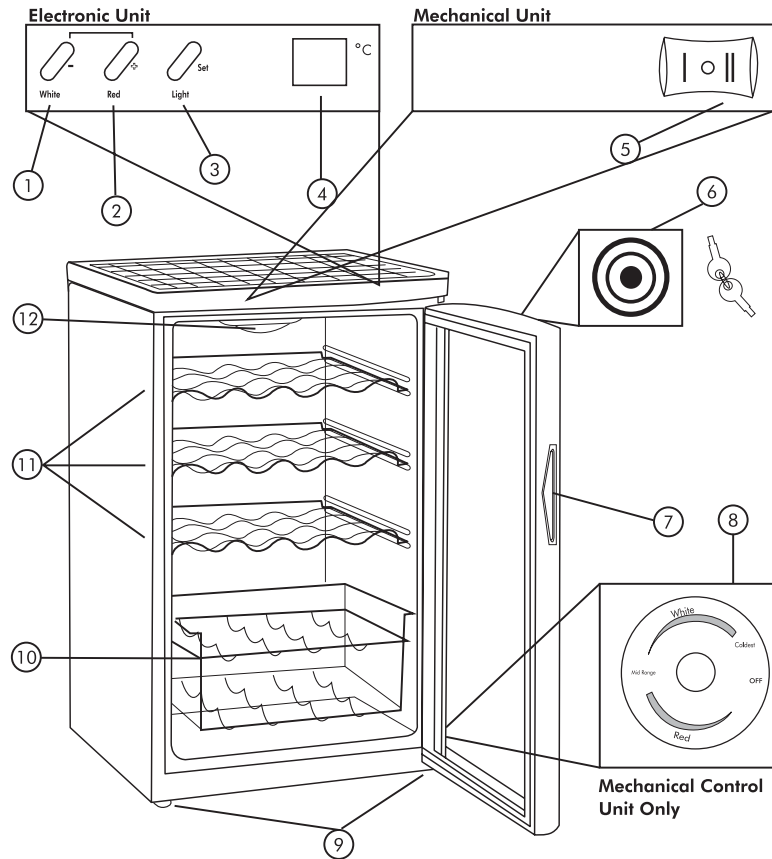
**Door Gaskets:**

- Clean door gaskets every three months according to general instructions. Gaskets must be kept clean and pliable to assure a proper seal.
- Petroleum jelly applied lightly on the hinge side of gaskets will keep the gasket pliable and assure a good seal.

# Table Of Contents

	PAGE
<b>Safety Precautions</b> .....	1
<b>Parts And Features</b> .....	4
<b>Installing Your Wine Cooler</b> .....	5
Unpacking Your Wine Cooler.....	5
Leveling Your Wine Cooler.....	5
Proper Air Circulation .....	5
Electrical Requirements.....	6
<b>Wine Cooler Features And Use</b> .....	7
Initial Set Up .....	7
Temperature Adjustment.....	7
Shelving .....	9
Interior Light .....	9
Door Lock .....	9
Normal Operating Sounds.....	9
<b>Proper Wine Cooler Care and Cleaning</b> .....	10
Cleaning and Maintenance .....	10
Power Interruptions .....	11
Vacation and Moving Care .....	11
<b>Troubleshooting</b> .....	12

# Parts And Features



	1	2	3	4	5	6	7	8	9	10	11	12
JC-82G	•	•	•	•		•	•		•	•	•	•
JC-112G	•	•	•	•		•	•		•	•	•	•
JC-152G	•	•	•	•		•	•		•	•	•	•
JC-82GA						•	•	•	•	•	•	
JC-112GA						•	•	•	•	•	•	
JC-152GA						•	•	•	•	•	•	

- 1. White Wine Button (-)
- 2. Red Wine Button (+)
- 3. Interior Light Button (set)
- 4. LED Temperature Display
- 5. Light On/Off Switch
- 6. Door Lock and Key

- 7. Door Handle
- 8. Temperature Control
- 9. Adjustable Leveling Legs (not shown)
- 10. 1 Slide-Out Basket
- 11. Slide-Out Shelves
- 12. Interior Light

## Shelving

- The shelves are designed for flexibility and easy cleaning. To accommodate different sized bottles the shelves slide out and can be moved up or down into any of the tracks molded into the cooler cabinet. Larger bottles or Magnums can be more easily accommodated on the cross shelves of the bottom basket of the cooler. You will notice that the shelves are designed so the bottles do not line-up directly over one another. This allows free air movement and provides more space.

## Interior Light

- To complement the look of your wine collection, a soft light has been built into the wine cooler. Simply push the "Light/Set" button on the electronic controlled unit, and the light comes on, push again for off. On the mechanical control units, the light switch is on the front for your convenience. For maximum energy efficiency, leave light off when not viewing your collection.

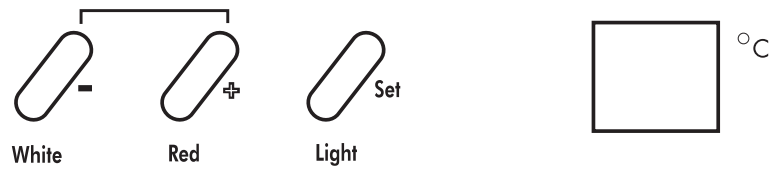
## Door Lock (electronic controlled unit only)

- For safety and security, your wine cooler is equipped with a door lock. To eliminate the risk of accidental child entrapment, the lock was designed so that the door will not lock until the key is removed (consistent with VDE requirements).

## Normal Operating Sounds You May Hear

- Boiling water, gurgling sounds or slight vibrations that are the result of the refrigerant circulating through the cooling coils.
- The thermostat control will click when it cycles on and off.

fig. # 1



- There will be a 3 degree variance +/- between the temperature you select and the temperature indicated on the LED readout. This occurs because the wine cooler activates and deactivates trying to maintain your desired temperature. There is often a 10° variance between the top and bottom shelves of the wine cooler. Therefore, if you have set the wine cooler for 10° and have a mix of red and white wines, you may want to put the white wine on the bottom shelf where the temperature will be 7 °C, and place the red wine on the top shelf where the temperature will be 13°C.

**Mechanical Control Unit:** See fig. # 2

- Your wine cooler has a temperature control knob on the back of the unit. There are 6 settings: 1 being the warmest and 6 being the coolest. You can set the temperature of your wine cooler at any setting you desire.

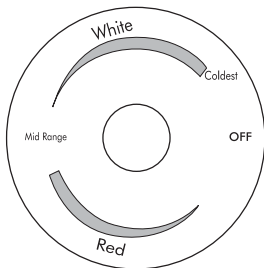


fig. # 2

## Installing Your Wine Cooler

### Unpacking Your Wine Cooler

1. Remove all packaging material. This includes the foam base and all adhesive tape holding the wine cooler accessories inside and outside. Slide out and remove plastic or foam guard used to secure the compressor from shipping damage due to vibration and shock.
2. Inspect and remove any remains of packing, tape or printed materials before powering on the wine cooler.

### Leveling Your Wine Cooler

- Your wine cooler has four leveling legs which are located in the front and rear corners of your wine cooler. After properly placing your wine cooler in its final position, you can level your wine cooler.
- Leveling legs can be adjusted by turning them clockwise to raise your wine cooler or by turning them counterclockwise to lower your wine cooler. The wine cooler door will close easier when the leveling legs are extended.

### Proper Air Circulation

- To assure your wine cooler works at the maximum efficiency it was designed for, you should install it in a location where there is proper air circulation, plumbing and electrical connections.
- The following are recommended clearances around the wine cooler:
  - Sides.....2" (50mm)
  - Top.....2" (50mm)
  - Back.....2" (50mm)
- Do not over fill your wine cooler for proper internal air circulation.

## Electrical Requirement

- Make sure there is a suitable power Outlet (220~230 volts, 15 amps outlet) with proper grounding to power the wine cooler.
- Avoid the use of three plug adapters or cutting off the third grounding in order to accommodate a two plug outlet. This is a dangerous practice since it provides no effective grounding for the wine cooler and may result in shock hazard.

## Install Limitations

- Do not install your wine cooler in any location not properly insulated or heated e.g. garage etc. Your wine cooler was not designed to operate in temperature settings below 13° Centigrade.
- Select a suitable location for the wine cooler on a hard even surface away from direct sunlight or heat source e.g. radiators, baseboard heaters, cooking appliances etc. Any floor unevenness should be corrected with the leveling legs located on the front and rear bottom corners of the wine cooler.
- Your wine cooler is designed for free-standing installation only. It is not designed for built-in application.

## Wine Cooler Features And Use

### Initial Setup

#### Electronic Controlled Units:

Once you have plugged the unit into an electrical outlet, let the unit run for at least 30 minutes to acclimate itself before making any adjustments. During this time the Red Wine light may stay on.

#### Mechanical Controlled Units:

The control for this is on the back of the unit. There are 6 settings plus 0 (OFF). Initially set the temperature setting to 3. Let the unit run for at least 30 minutes to acclimate itself before making any adjustments.

### Temperature Adjustments:

#### Electronic Control Unit: See fig. # 1

- The wine cooler is preset from the factory to automatically accommodate temperature requirements for red or white wines. If you store mostly white wines, press the "White Wine" button and the wine cooler will maintain an average temperature between 7° to 10 °C. Pushing the "Red Wine" button will yield an average temperature between 13° to 16 °C.
- The wine cooler can be set to any temperature you desire to accommodate your wine storage requirements. To set the temperature, press both the "White Wine" and "Red Wine" buttons simultaneously and hold for approximately 3 seconds. Now you are in temperature set mode. Decrease the temperature by pushing the "White Wine" button and increase the temperature by pressing the "Red Wine" button. Pressing the appropriate button 3 times will adjust the temperature 3 degrees, press 4 times equals 4 degrees, 5 times equals 5 degrees, and so on. Once you have selected the temperature you desire, push the "Light/Set" button. Now the wine cooler is programmed and the LED readout will return to current internal temperature reading.